

## ENKELROOF 500 EEC (ENKREC500)

### GENERAL DATA

#### ROOF FAN WITH ABS COWL AND ELECTRONIC MOTOR



#### MANUFACTURING FEATURES:

- ABS protection cowl easily removable for access to motor and impeller (integrated folding system in models 500, 560 and 630). The ABS cowl is characterized by its toughness, resistance to impacts and is able to withstand extreme ambient temperatures. 100% of the ABS used in the this cowl is recycled.
- The design of the cowl with a rounded shape is specific to minimize the risk of water ingress due to rain.
- Structure in anticorrosive galvanized steel and support frame for adaptation to the roof with anti-bird protection grid.
- High-efficiency backward-curved blade impeller with self-cleaning system. Self-cleaning system. Reinforced polyamide impeller for models 155, 190 and 220. The rest of the models in aluminum.
- EC technology uses integral electronic control to ensure that the motor always runs at optimal load and ensures efficient energy utilization. It incorporates an external rotor EC motor with high efficiency (IE4 for three phase motors and IE5 for single motors) and low noise level. Speed control through a 0-10V or PWM signal. 230V 50/60Hz single-phase power supply for models 155 to 310 and 400V 50/60Hz three-phase power supply for sizes from 355 to 630. IP54 and motor class B insulation.

#### APPLICATIONS

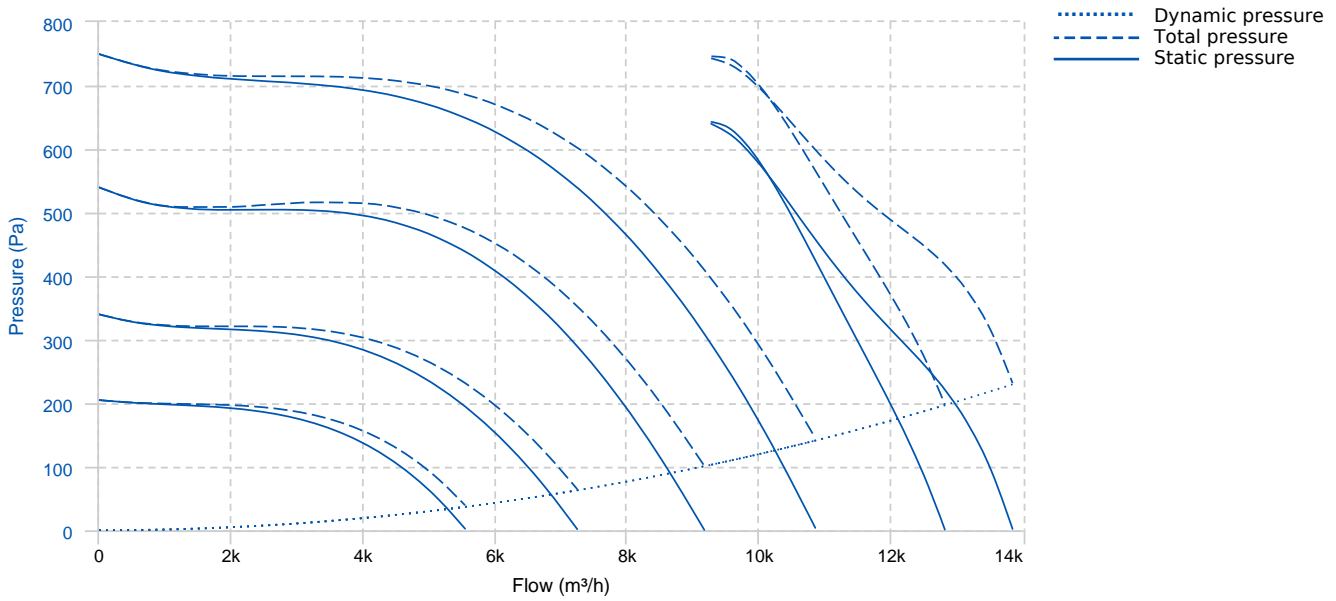
Designed for deck or roof mounting, they are indicated for:

- Smoke extraction.
- Air renewal in all types of buildings and industries.
- Working temperature range from -20°C to 60°C for models size 155-310, -25°C to 60°C for 355-450 sizes, -30°C to 50°C for size 500 and -30°C to 40°C for 560 and 630 models.

#### UNDER REQUEST

- Fan (size between 250 and 450) with k-factor reading.

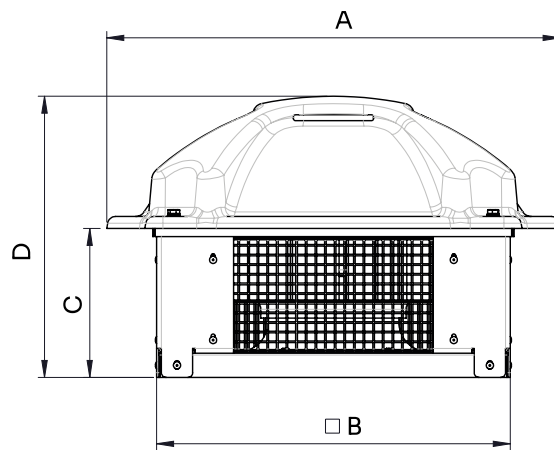
## PERFORMANCE CURVE



## TECHNICAL DATA

Fan							
RPM	1800	Approx. weight	73 kg	Max. Flow	13850 m³/h		
Motor							
Power	3 kW	RPM	1800	I max. (400V)	4,95 A	Approx. weight	25 kg


## DIMENSIONS




Dimensions (mm)							
A	1227	B (int)	936	C	460.5	D	930.5

## WIRING DIAGRAM

Line / Línea

Nº	Signal Señal	Colour Color	Specification Especificación
1	L1	Black Negro	AC380V-50/60Hz
2	L2	Black Negro	AC380V-50/60Hz
3	L3	Black Negro	AC380V-50/60Hz
4	Pe	Yellow-Green Amarillo-Verde	

Control / Control

Nº	Signal Señal	Colour Color	Specification Especificación
1	Vcc	Red Rojo	DC10V
2	Vsp	Yellow Amarillo	0-10VDC/PWM
3	GND	Blue Azul	
4	FG	White Blanco	12 Pulse/R

Auxiliary contacts (Alarm) / Contactos auxiliares (Alarma)

Nº	Signal Señal	Colour Color	Specification Especificación
1	NO	Brown Marrón	NO
2	COM	Black Negro	COM
3	NC	Orange Naranja	NC

## ACCESSORIES



**SAFETY SWITCH  
INT 25 3P A**  
REF: INT253PA



**CONNECTION FLANGE  
AC 500**  
REF: 960003214



**CIRCULAR SILENCER  
SIL-C 500/500**  
REF: 960050050



**CIRCULAR SILENCER  
SIL-C 500/750**  
REF: 960050075



**CIRCULAR SILENCER  
SIL-C 500/1000**  
REF: 960050100



**CIRCULAR SILENCER  
SIL-CN 500/500**  
REF: 961050050



**CIRCULAR SILENCER  
SIL-CN 500/750**  
REF: 961050075



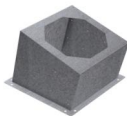
**CIRCULAR SILENCER  
SIL-CN 500/1000**  
REF: 961050100



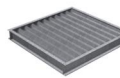
**CIRCULAR-CIRCULAR ANTI-VIBRATION FLANGE  
BAD 13 (Ø500)**  
REF: 960003463



**SPEED CONTROLLER WITH SAFETY SWITCH FOR  
EEC MOTOR  
PMR 25A**  
REF: PMREEC



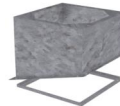
**INCLINED ROOF FAN SUPPORT  
BTI 915**  
REF: A-50870915XX



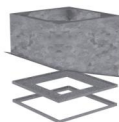
**DEPRESSION DAMPER (HORIZONTAL or  
VERTICAL PLACEMENT)**  
CMP-HUT 500x510  
REF: CMPHUT5051



**BTI + ACMP MOUNTED  
BTI+ACMP 915**  
REF: BTIACMP915XX



**BTI + AMC MOUNTED  
BTI+AMC 915**  
REF: BTIAMC915XX

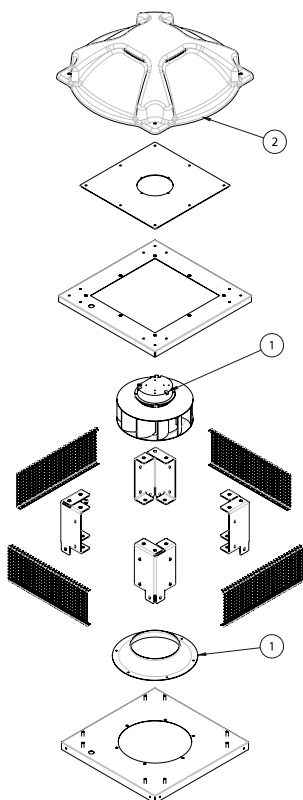


**BTI + ACMP+AMC MOUNTED**  
**BTI+ACMP+AMC 915**  
**REF: BTIACMPAMC915XX**



**ENKELROOF VERTICAL DISCHARGE**  
**KV ENKELROOF 500**  
**REF: KVENKR500**

## SPARE PARTS



	Code	Model	Qty
1	R-241503017	MOTOR-FAN+INLET CONE 500 400V 50/60Hz	x1
2	R-279564478	ROOF COWL KENTALROOF 450-500-560	x1